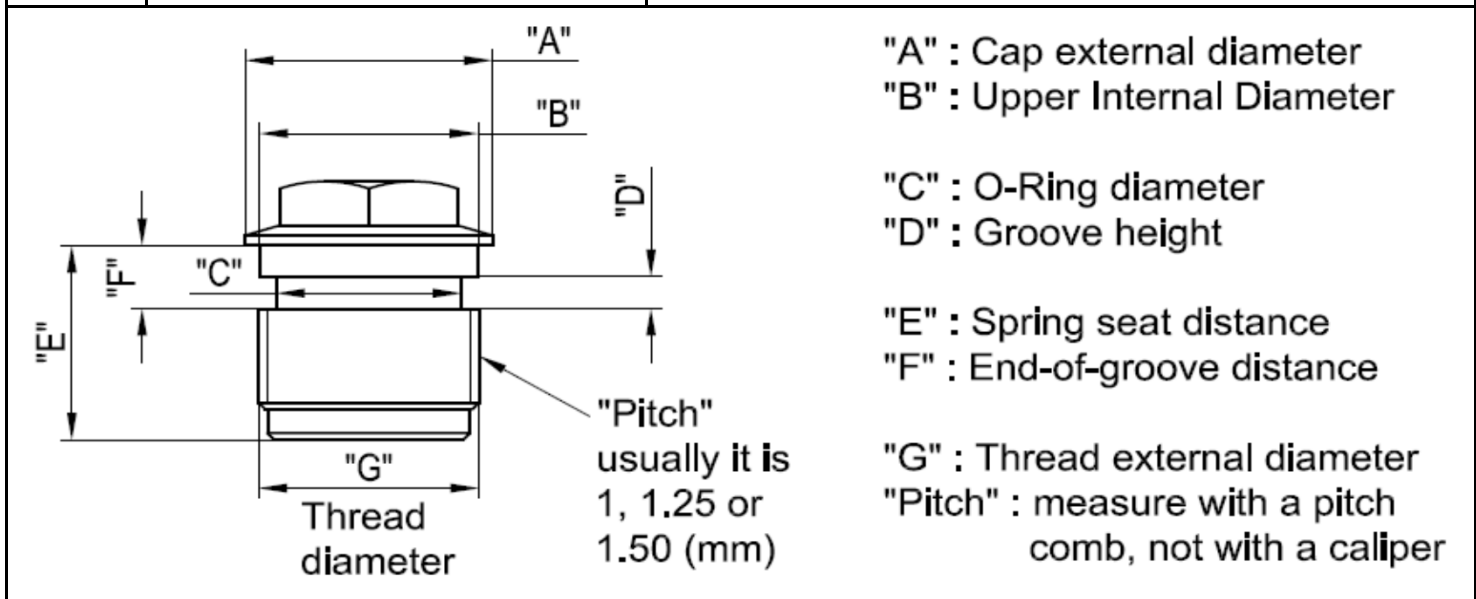


# DATA TEMPLATE 2: UPPER CAP



Date	>	<input type="text"/>	Please fill box shaded blue	
Make and model	>	<input type="text"/>	Year	>
Fork maker	>	<input type="text"/>		
Motorbike weight >		<input type="text"/>	Pilot's weight (gear incl)	

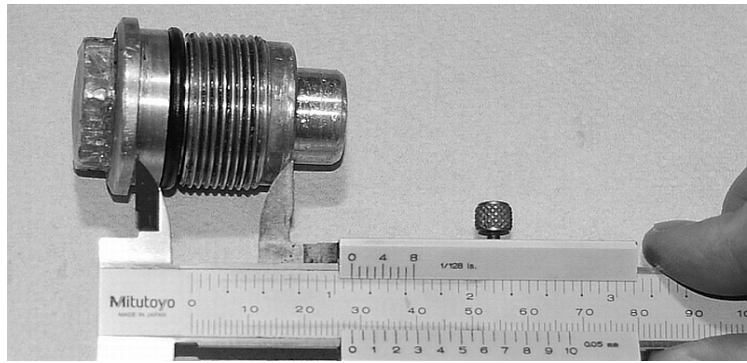
ITEM	DESCRIPTION	FIGURE
STEP 5	<p><b>UPPER CAP BASIC DIMENSIONS</b></p> <p>5.1. INDICATE APPROXIMATE SHAPE OF UPPER CAP (just as indicative)</p> <p>TYPE : <input type="text"/></p> <hr/> <p>5.2. MEASURE BASIC UPPER CAP DIMENSIONS (use a capiler)</p> <ul style="list-style-type: none"> <li>- Upper cylinder diameter "A" = <input type="text"/> mm</li> <li>- Upper internal diameter "B" = <input type="text"/> mm</li> <li>- O-Ring diameter "C" = <input type="text"/> mm</li> <li>- Groove heigth "D" = <input type="text"/> mm</li> <li>- Thread total distance "E" = <input type="text"/> mm</li> <li>- End groove distance "F" = <input type="text"/> mm</li> <li>- Thread external diam. "G" = <input type="text"/> mm</li> <li>- Thread pitch = <input type="text"/> mm</li> </ul> <p>(measure pitch with special thread profile gauge) Normal pitch values are:</p> <ul style="list-style-type: none"> <li>a) 1,5 mm pitch</li> <li>b) 1,25 mm pitch</li> <li>c) 1 mm pitch</li> </ul>	<div style="display: flex; justify-content: space-around; margin-top: 10px;"> <div style="text-align: center;">Type Betor 1</div> <div style="text-align: center;">Type Betor 2</div> <div style="text-align: center;">Type Montesa</div> <div style="text-align: center;">Type Marzocchi</div> <div style="text-align: center;">Type Ceriani</div> </div> <div style="background-color: yellow; padding: 5px; margin: 10px 0;">See pictures 8, 9, 10 attached (example of Betor)</div> <div style="background-color: #f0d0d0; padding: 5px; margin: 10px 0;">Please, attach also a close picture of your upper cap, side view, for visual check</div>



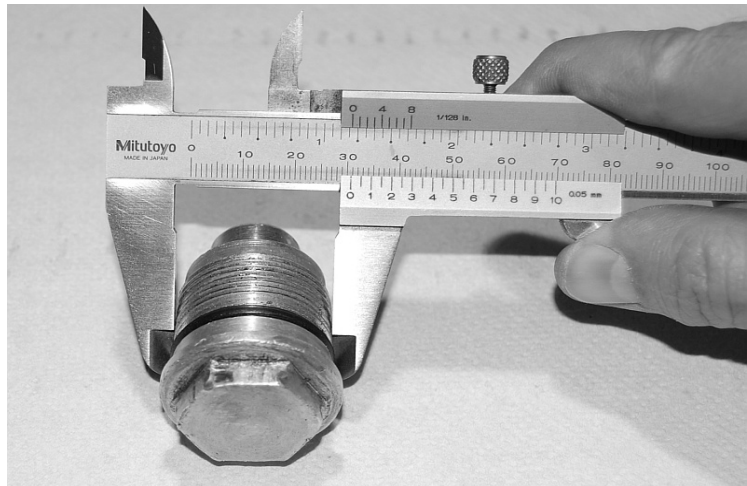
STEP 6	<p><b>MEASURE THICKNESS OF O-RING</b></p> <p>T = <input type="text"/> mm</p>	
--------	--	--

# FORK DIMENSION TEMPLATE

## 8: SPRING SEAT DISTANCE



## 9: MEASURE THREAD EXTERNAL DIAMETER



## 10: MEASURE THREAD PITCH

